



## PASCAL SYSTEM



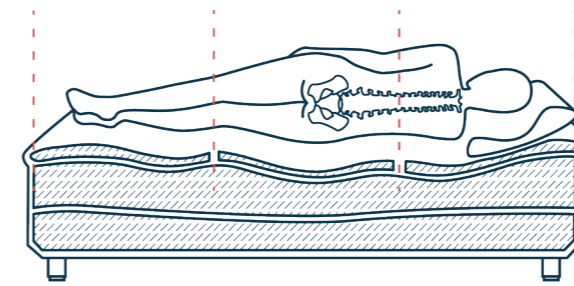
## CONFIGURE INSTRUCTIONS

DUX, DUXIANA and DUX Pascal-systems are registered  
trademark owed by Dux Design AB 2012.  
Printed 2021.02.01

[dux.com](http://dux.com)

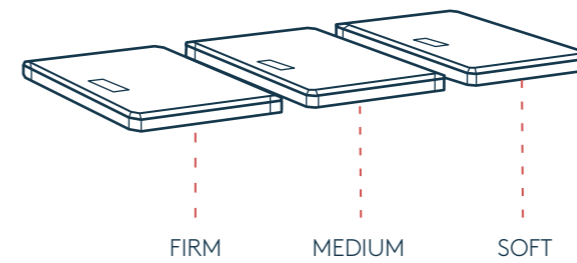


## DUX PASCAL-SYSTEM



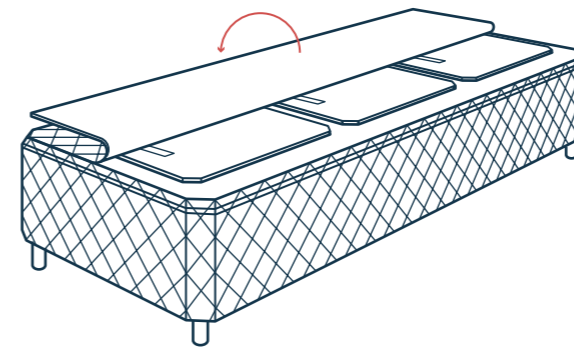
The Pascal System consists of three or six interchangeable spring cassettes of varying densities and tension. Designed to provide three support zones – shoulders, hips, legs – each cassette is selected to match your body size and weight for individually customized comfort.

## CONFIGURE PASCAL-SYSTEM

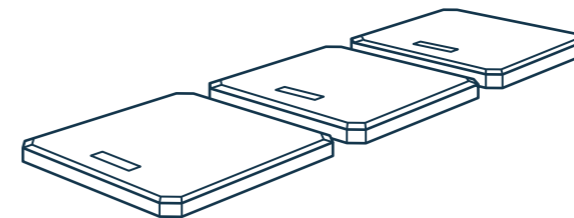


Common configuration is as follows:  
**SOFT** – at the head, allowing your shoulders to sink into the bed.  
**MEDIUM** – in the middle, allowing hips to sink down in the bed.  
**FIRM** – at the foot, allowing some elevation for your legs and feet.

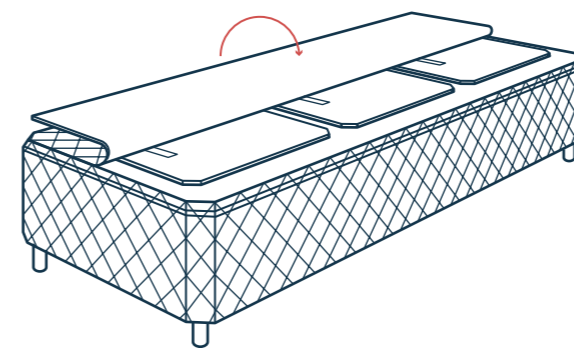
## ASSEMBLING



**I. OPEN THE BED**  
Open the bed and fold the top over.



**II. ARRANGE THE CASSETTES**  
Arrange the cassettes according to your preference.



**II. FOLD THE TOP BACK OVER**  
Fold the top back over and zip the bed closed.