



DUX INFRARED
CONTROL



ASSEMBLY INSTRUCTIONS

DUX, DUXIANA and DUX Pascal-systems are registered
trademark owed by Dux Design AB 2012.
Printed 2021.02.01

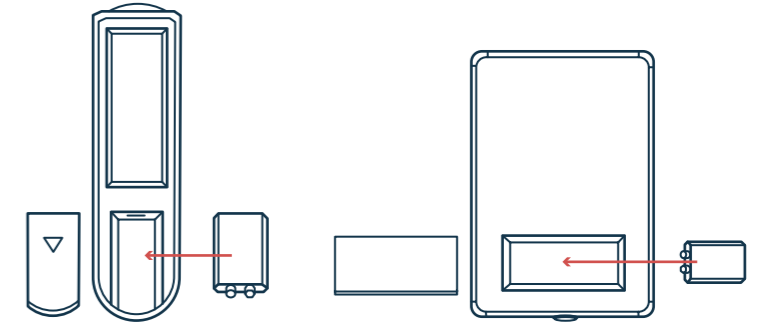
dux.com



ASSEMBLING

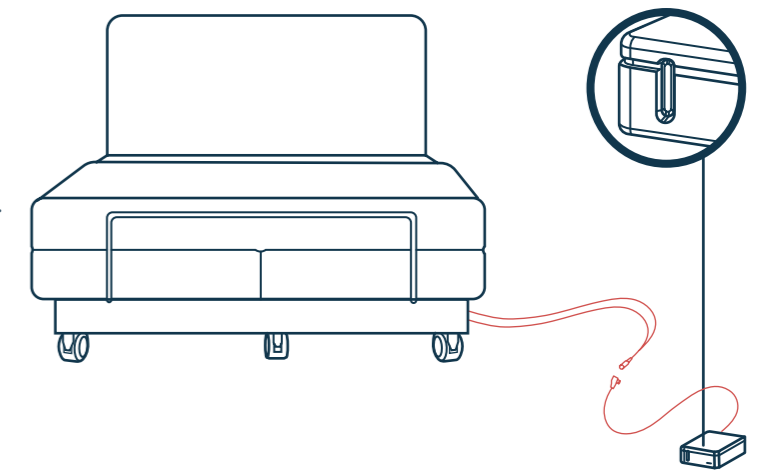
I. INSERT BATTERIES

Insert batteries into both the IR hand control and receiver, 9V battery.
Change the battery every two years.



II. CONNECT THE IR RECEIVER

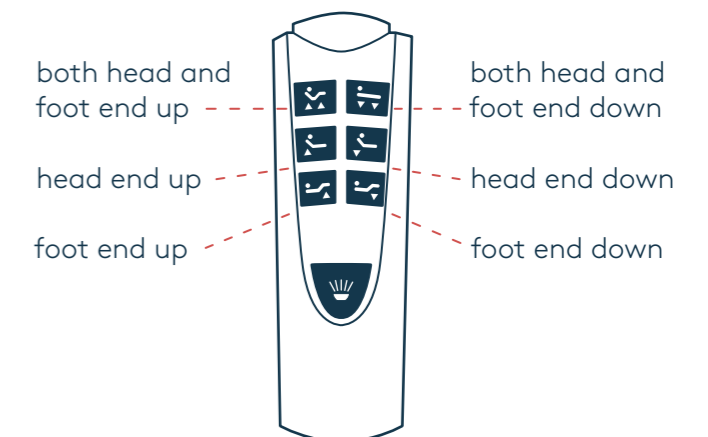
Connect the IR receiver to the cable to which the corded hand control was connected.
Do not cover the receiver and do not put into a closed bed frame.

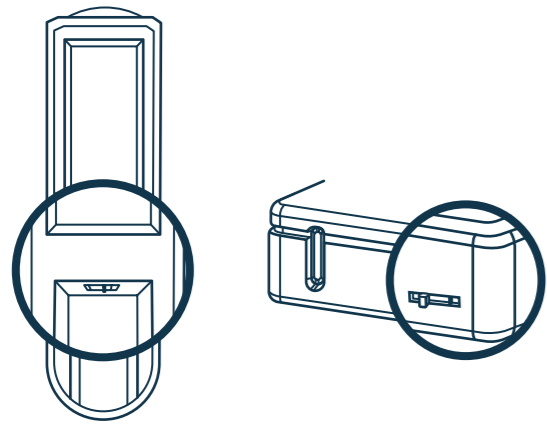


THE IR HAND CONTROL

SAFETY LOCK BUTTON

It is possible to block all functions of the adjustable bed by remote control in order to keep children from playing with the devices in your advance. You can easily activate and deactivate the safety device by alternately pressing the button for 8-10 seconds. The sound of a buzzer will confirm a successful programming.





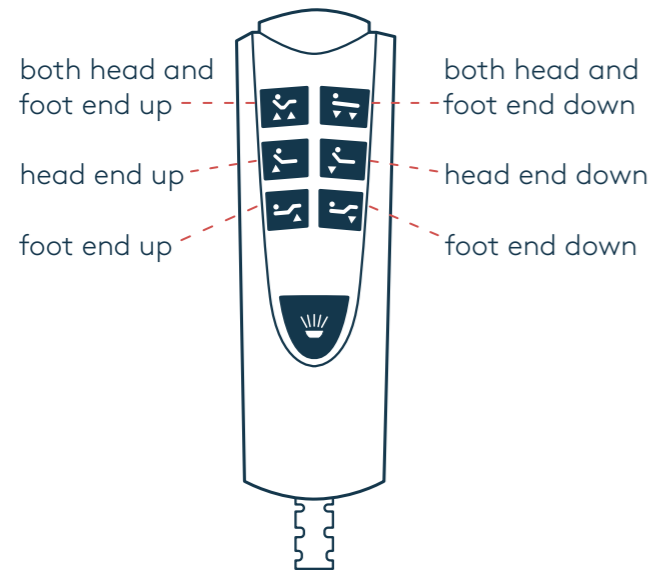
CODE SWITCH

Use the switches if you have two adjustable beds in the same room so they will not affect each other. On the second bed, change the switch both on the transmitter and the receiver. Be sure to always have the switch on the transmitter and receiver in the same matching position.

KEEP THE CORDER CONTROL

Be sure to keep the corder hand control that comes with the bed, if the power fails you will be able to lower the bed with the power from the batteries in the hand control.

THE HAND CONTROL



THE HAND CONTROL

